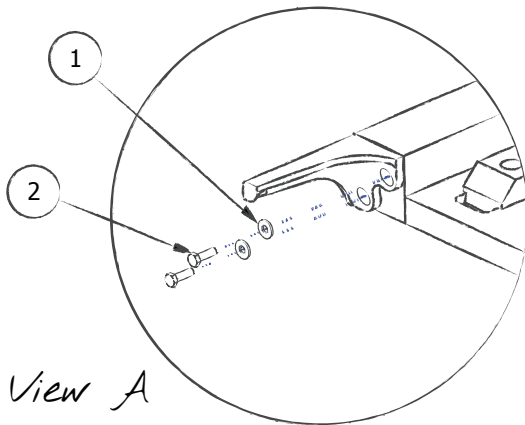
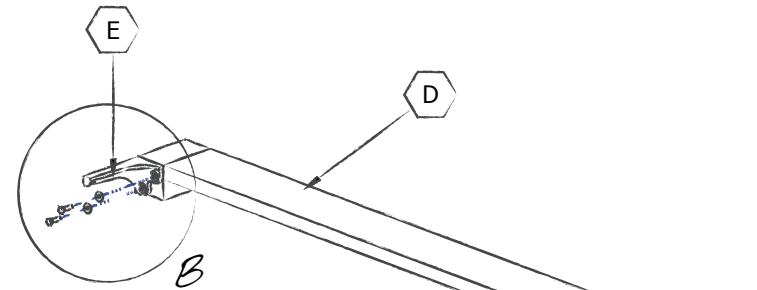
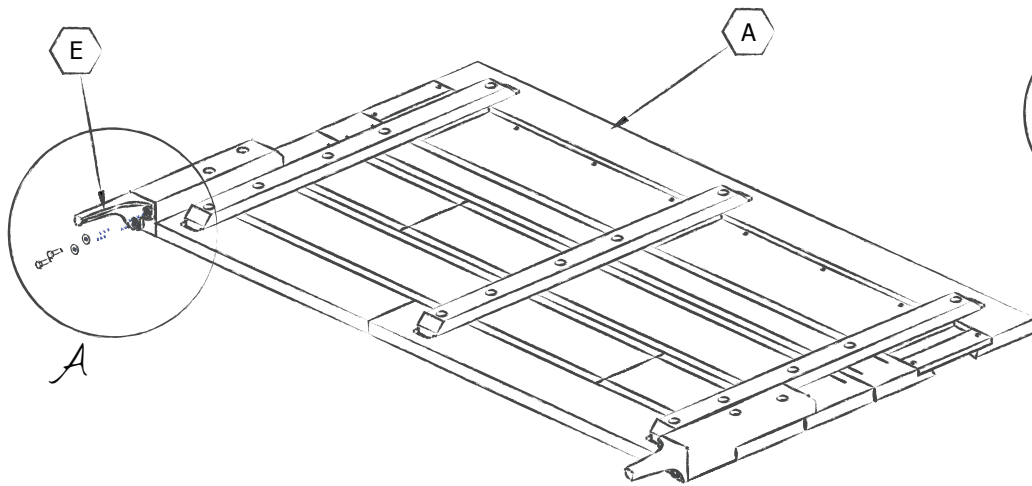


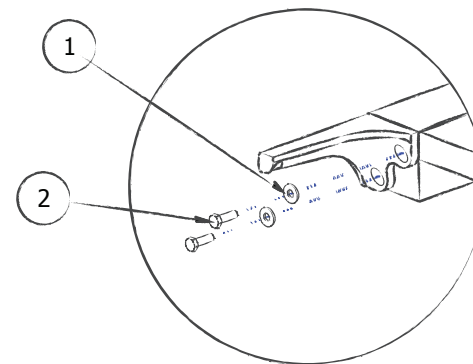
SQUARE ROOTS

STEP 1

Attach the legs to the underside of the foot using the bolts M8 and washers M8.

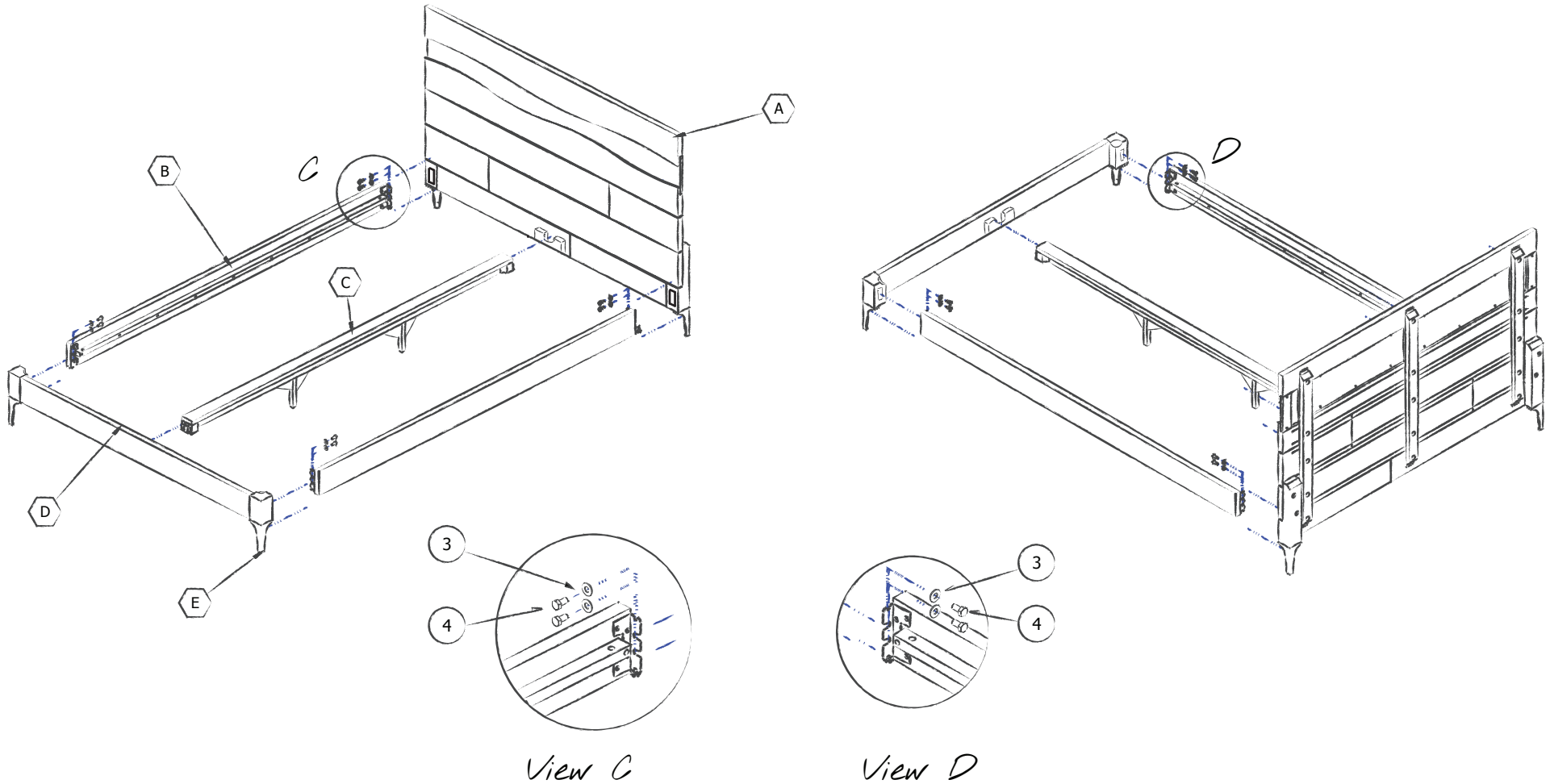


View A



View B

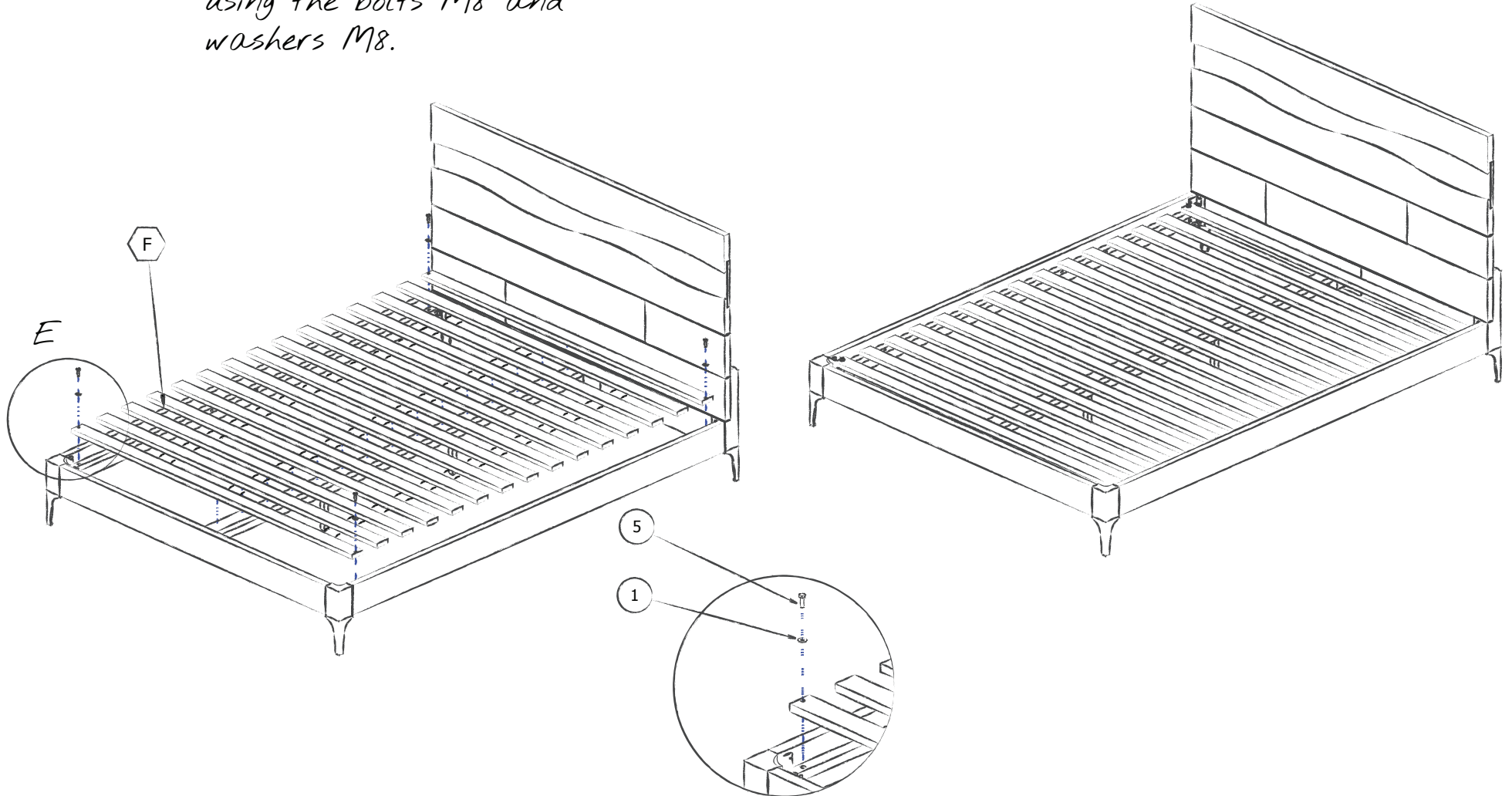
STEP 2
Attach the side rail to the
headboard using the bolts M10
and washers M10.



SQUARE ROOTS

STEP 3

Attach the slat to the bed using the bolts M8 and washers M8.



View E N.B. Always lift never drag when moving

SQUARE ROOTS





Prana US Queen Bed ASSEMBLY INSTRUCTIONS

- ☐ Please read all instructions carefully before beginning assembly.
- ☐ Save all packing materials until the item is fully assembled to avoid accidentally discarding any small parts or hardware.
- ☐ Assembly by 2 adults is recommended.
- ☐ Please check our website for further details [www.sqroots.com]

COMPONENTS

ITEMS	QTY	PART NUMBER
A	1	Headboard
B	2	Side Rail
C	1	Center Rail
D	1	Footboard
E	4	Cast Iron leg
F	15	Slats

HARDWARE

ITEMS	QTY	PART NUMBER	DESCRIPTION
1	12	Washer M8	
2	8	Bolt M8*30	
3	8	Washer M10	
4	8	Bolt M10	
5	4	Bolt M8*35	