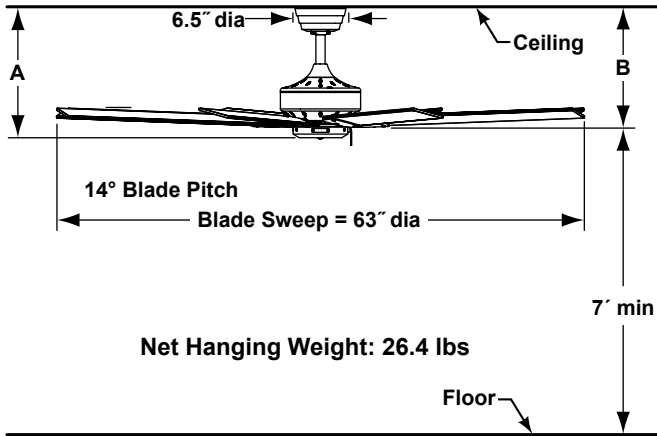


**LEVON™**

# FP79100B Ceiling Fan



	A	B
Fan w/6" downrod	14.50"	12.00"
Fan w/12" downrod	20.50"	18.00"
Fan w/18" downrod	26.50"	24.00"
Fan w/24" downrod	32.50"	30.00"
Fan w/36" downrod	44.50"	42.00"
Fan w/48" downrod	56.50"	54.00"
Fan w/60" downrod	68.50"	66.00"
Fan w/72" downrod	80.50"	78.00"

### Available Finish

OB	Oil-rubbed bronze
----	-------------------

### INSTALLATION REQUIREMENTS:

Fan must be attached to a securely anchored electrical junction box capable of withstanding a load of at least 50 lbs.

### ELECTRICAL REQUIREMENTS:

Requires a grounded electrical supply line of 120 volts AC, 60 Hz, 15 amp circuit.

### MOTOR SPECS:

188 x 25 motor is designed for optimal performance with this fan.

Airflow / Energy Efficiency Info (120V)					
Fan Speed	Max RPM	CFM	CFM / Watts	Amps	Watts
High	105	5605	84	0.57	67
Med	67	3537	118	0.38	30
Low	36	1918	174	0.23	11

### BLADES:

A set of eight walnut finish wood blades is included.

### CONTROL OPTIONS:

Optional CW1\*\*, CW1SW\*\*, CW2\*\*, CW5\*\* and CWRL4\*\* wall controls and CRL4WH and CRL8TS remote controls (with receiver units) are available—sold separately. Instructions are provided with each control.

### LIGHTING OPTIONS:

Optional lighting fitters and light kits are available. See our catalog or visit [www.fanimation.com](http://www.fanimation.com) for available lighting options.

### DOWNROD OPTIONS:

Fan comes with a 1" dia. x 6" long downrod (DR1-6). Optional downrods available in 12", 18", 24", 36", 48", 60" and 72" lengths. Fan can be mounted on a sloped ceiling up to 30°. Most sloped ceiling installations require a downrod longer than the standard 6" downrod. Optional sloped ceiling ball kits (SCB1-52) are available for slope angles greater than 30° and up to 52°. Call technical support for more information.

### LOCATION USE:

Fan is rated for dry locations only.