















Before you start, here is some helpful advice:

1. We suggest you spend a short time reading through this leaflet and then follow the simple step by step instructions.
2. Owing to the size and weight of the bed, we recommend that it is assembled by two adults, on a carpeted or padded area, in the room that it is intended for. Approx assembly time: 30 minutes.
3. Please do not use any tools other than those provided or recommended in these instructions.
4. Please do not throw away any of the packaging or the instruction until you have checked all the components and hardware and the furniture is fully assembled.
5. Assemble all components loosely until advised to tighten. Depending on use, it may be necessary to tighten the components from time to time, so please save the tools that has been provided.
6. Please keep all small pieces out of reach of children.

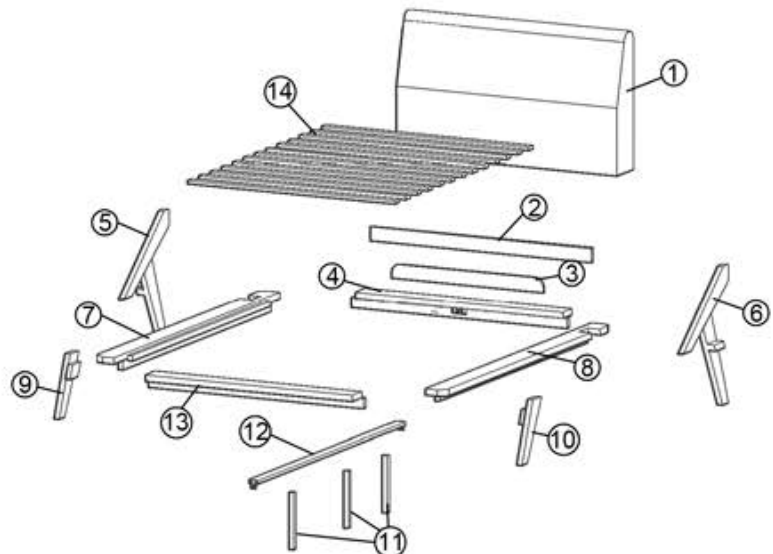


Hardware:

A		JCBB BOLT M8 x 80	4 PCS
B		JCBC BOLT M6 X 70	4 PCS
C		JCBC BOLT M6 X 60	2 PCS
D		JCBC BOLT M6 X 50	14 PCS
E		JCBC BOLT M6 X 40	2 PCS
F		WOOD DOWEL M10 X 40mm	4 PCS
G		U WASHER	2 PCS
H		WOOD SCREW M4 X 32mm	10 PCS
I		ADJUSTER	3 PCS
J		BARREL NUT	4 PCS
K		SPRING WASHER M5	4 PCS
L		FLAT WASHER M5	8 PCS
M		ALLEN KEY (BALL SHAPE) M4	1 PC
N		ALLEN KEY M5	1 PC

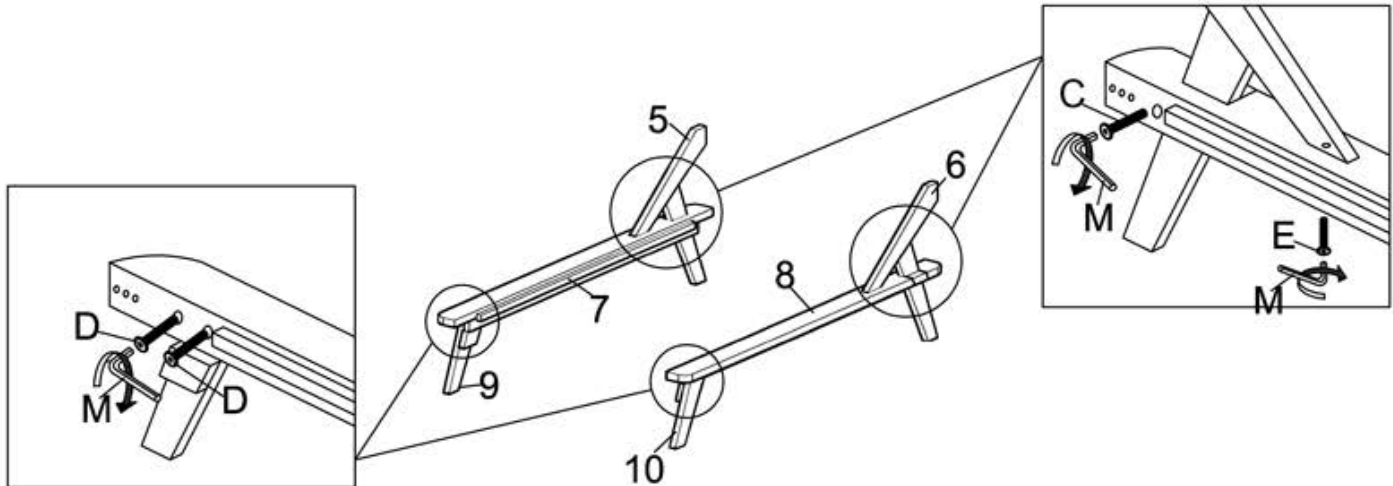
Component :

1 -	HEADBOARD CUSHION	x 1
2 -	HEAADBOARD TOP RAIL	x 1
3 -	HEADBOARD MIDDLE RAIL	x 1
4 -	HEADBOARD RAIL	x 1
5 -	HEADBOARD LEG (L)	x 1
6 -	HEADBOARD LEG (R)	x 1
7 -	SIDERAIL (L)	x 1
8 -	SIDERAIL (R)	x 1
9 -	FOOTBOARD LEG(L)	x 1
10 -	FOOTBOARD LEG(R)	x 1
11 -	SUPPORT LEG	x 3
12 -	CENTER SUPPORT	x 1
13 -	FOOTBOARD RAIL	x 1
14 -	BED SLAT	x 13



STEP 1:

1. Attach the **Headboard Leg(L)(5)** and **Headboard Leg(R)(6)** as per diagram shown. Place **JCBC bolt 60MM(C)** and tighten by using **M4 Allen Key(M)**. Then insert **JCBC bolt 40MM(E)** and tighten by **M4 Allen Key(N)**.
2. Place the **Footboard Leg(L)(9)** and **Footboard Leg(R)(10)** as per picture shown and attach **JCBC bolt 50MM(D)** and tighten using **M4 Allen Key(M)**.

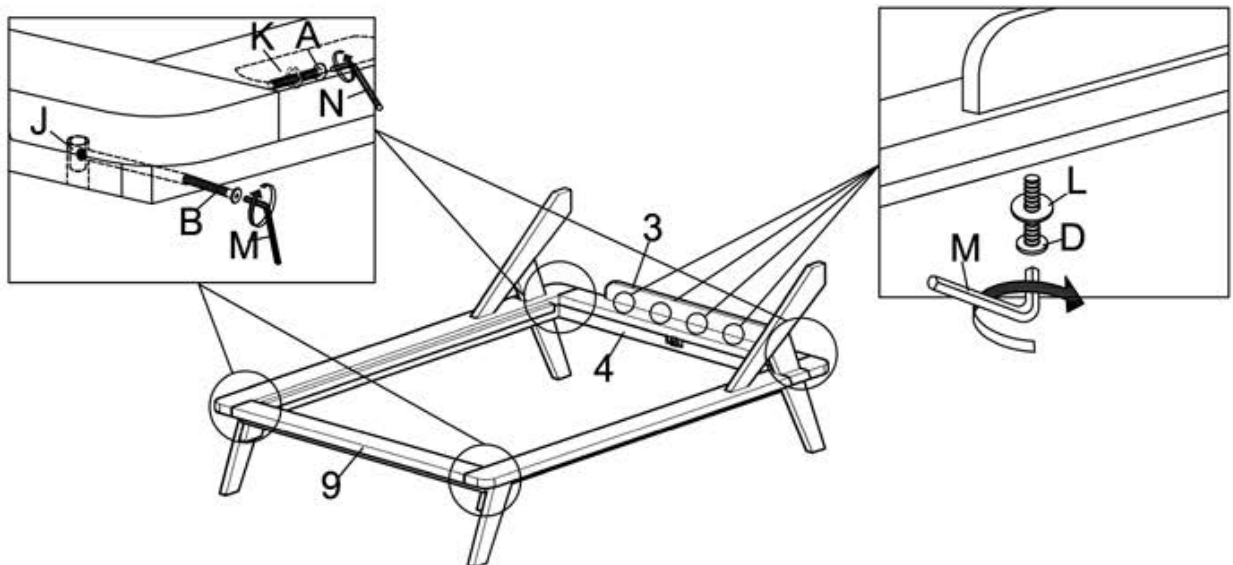


Ex2	Cx2	Mx1	Dx4

Hardware & Tool required

STEP 2:

1. Place **Headboard (1)** and **Side rail (L)(7)** **Side rail (R)(8)** on a carpeted or padded area as shown. Attach **Side rail (L)(7)** **Side rail (R)(8)** into **Headboard (1)** and by using **JCBB 80mm Bolt (A)**, **Spring Washer(K)** into the preholes. **Headboard (1)** and **Footboard(2)** as per diagram. Tighten with **M5 Allen Key (N)**.
2. Insert **JCBC M6x70(B)**, **Barrel Nut(J)** as per diagram shown and tighten with **M4 Allen Key(M)** to all 4 side bed corner.
3. Attach **Headboard Guardrail(3)** into **Headboard(1)** then insert **JCBC Bolt 50mm(D)**, **Flat Washer 2mm(L)** and tighten by using **M4 Allen Key(M)**

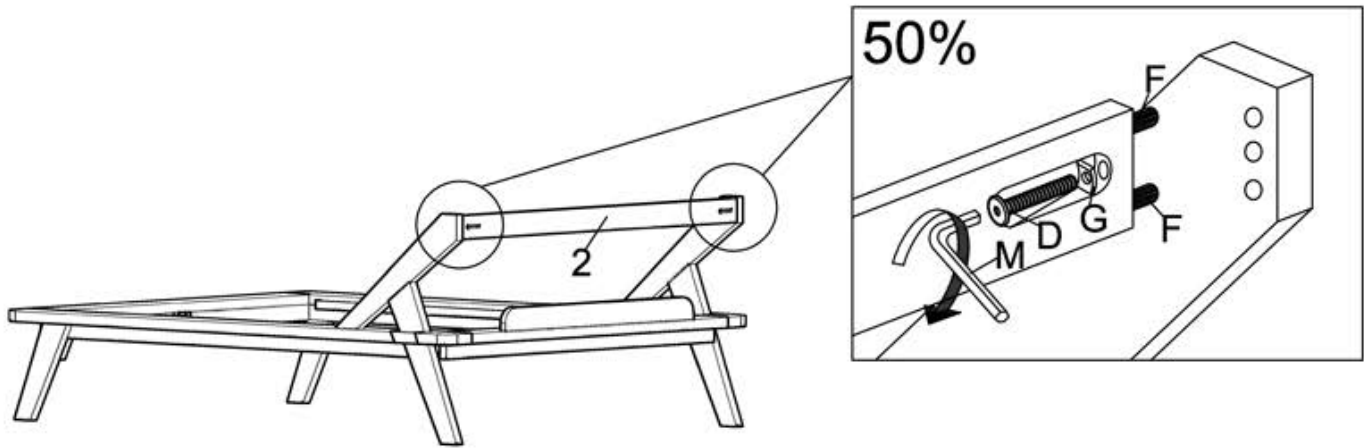


Ax4	Bx4	Dx4	Jx4	Kx4	Lx4	Nx1	Mx1

Hardware & Tool required

STEP 3:

Place **Headboard Rail(2)** as diagram shown. Attach **M10x40MM(F)** and **JCBC Bolt 50MM(D)**, **U Washer (G)** and tighten until 50% with **M4 Allen Key (M)**. Repeat for another side.

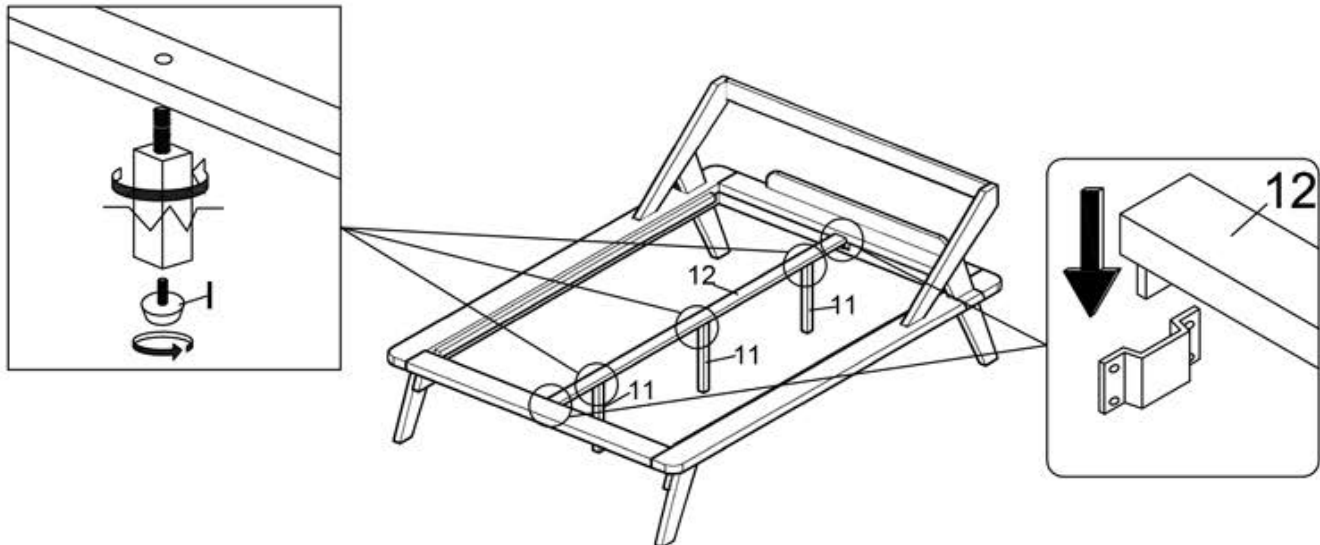


Dx2	Fx4	Gx2	Mx1

Hardware & Tool required

STEP 4:

1. Attach the **Center Support (12)** to the hinges as per diagram shown. Repeat again at **Footboard(2)**.
2. Attach the **Adjuster(J)** to the three **support leg(11)**.
3. Attach the **Support Leg(11)** to the **Center support (12)** as shown in diagram.

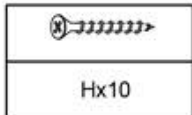
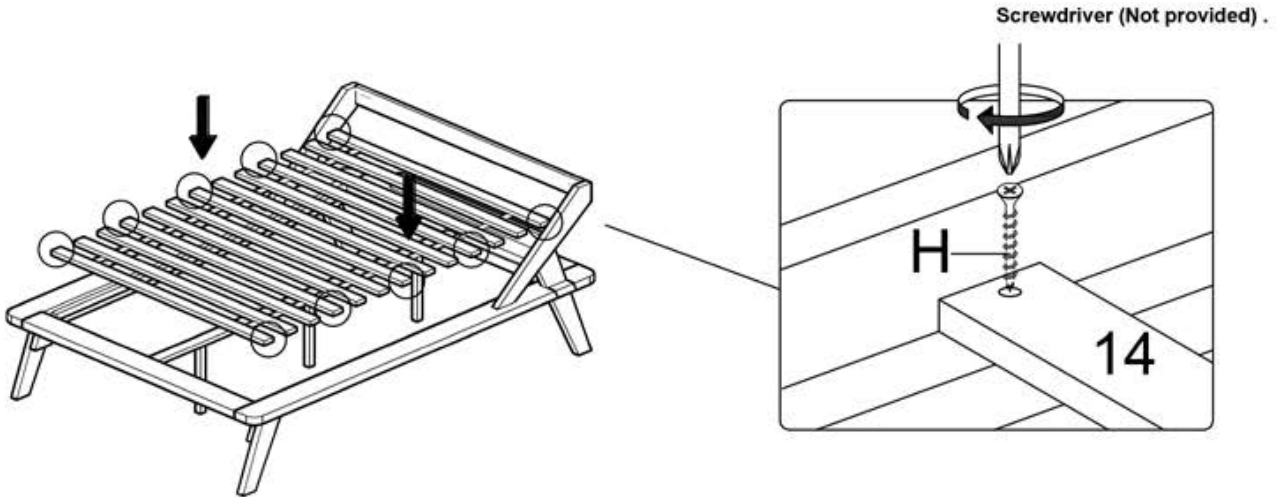


Ix3

Hardware & Tool required

STEP 5:

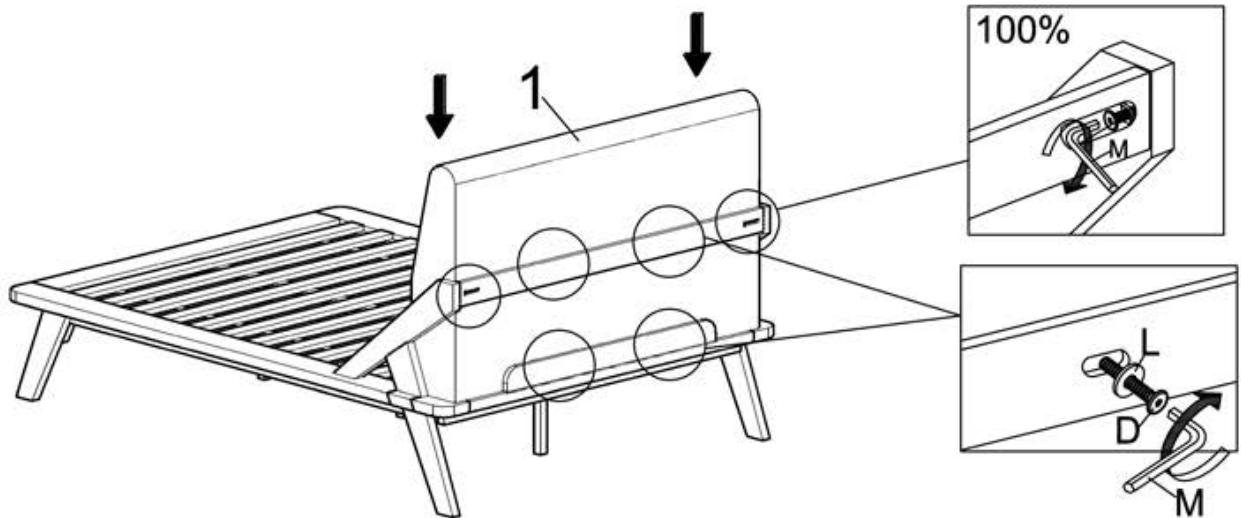
Attach Slat (14) into bed by inserting CSK screw (H) into the predrilled holes on the Slat (14) . Tighten with Screwdriver (Not provided) .



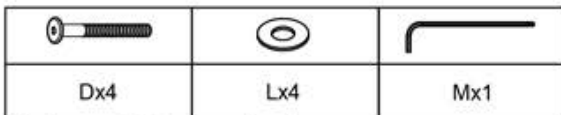
Hardware & Tool required

STEP 6:

1. Attach the Headboard (1) as shown in diagram. Place the JCBC bolt 50MM(D), Flat Washer(L) and tighten by using M4 Allen Key(M). Repeat again at 3 another hole.



Assembly is completed. The bed is ready to enjoy now!



Hardware & Tool required